

# 9-Port 10/100Mbps Switch with 8-Port Passive PoE ( 93W )

24V PoE, Total PoE power budget 93W, 6KV Anti-surge

## SF9P-PH



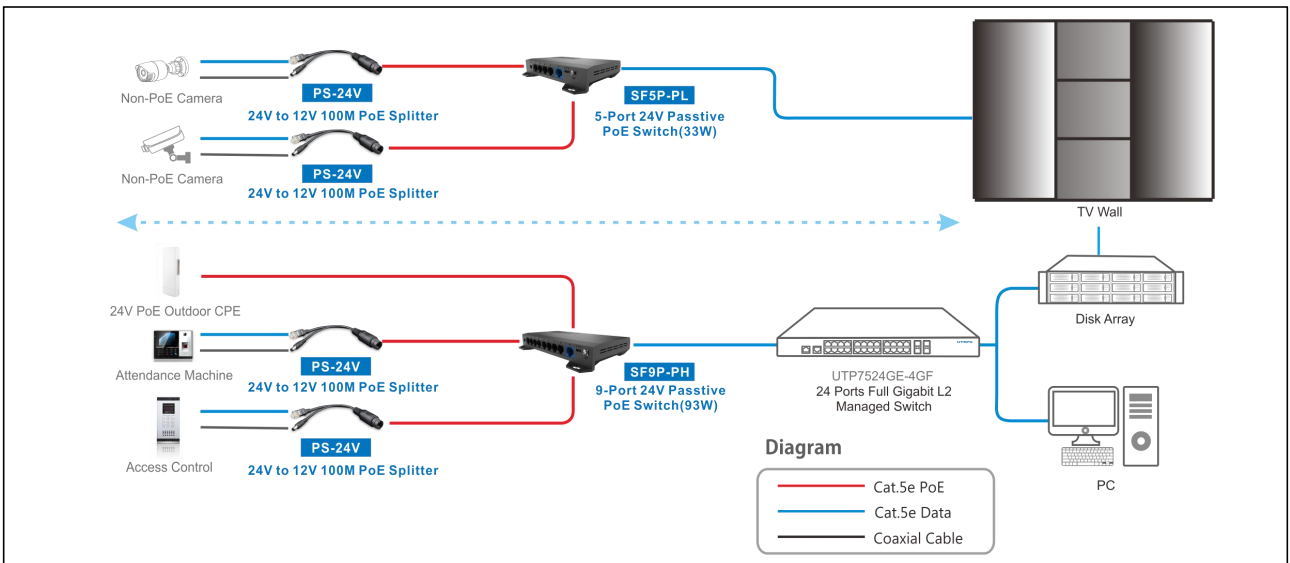
- 8\*10/100Base-TX Ethernet Ports (24V PoE) + 1\*10/100Base-TX Uplink Ethernet Port.
- Support passive PoE, the PoE power PIN assignment is 45(+), 78(-).
- Max PoE power of single port is 15W. Total PoE power budget is up to 93W.
- Support 3 working modes. Mode 1: Port 1-9 without PoE function. Mode 2: Port 1-7 with 24V PoE function, Port 8-9 without PoE function. Mode 3: Port 1-8 with 24V PoE function.
- Support 6KV surge immunity, 8KV ESD immunity and anti-interference function.
- Plug and play, no more configuration needed.



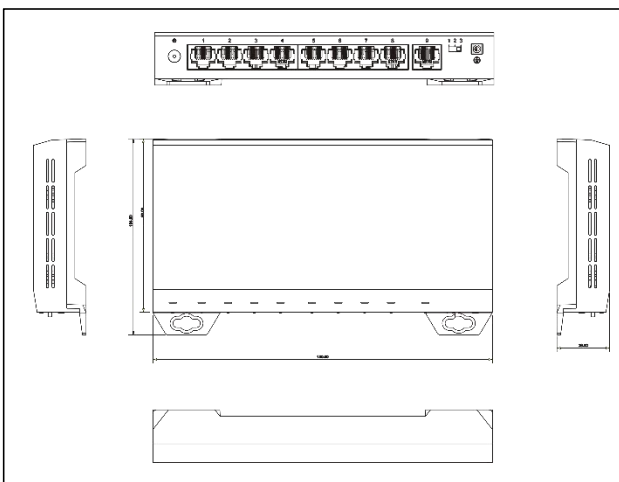
## OVERVIEW

SF9P-PH, 9-Port 10/100Mbps Switch with 8-Port Passive PoE ( 93W ) , provides 8\*10/100Base-TX Ethernet Ports (24V PoE) + 1\*10/100Base-TX Uplink Ethernet Port. The total PoE power budget is 93W. The SF9P-PH supports 3 working modes (Mode 1: Port 1-9 without PoE function. Mode 2: Port 1-7 with 24V PoE function, Port 8-9 without PoE function. Mode 3: Port 1-8 with 24V PoE function.) And it is widely used in security video monitoring and network engineering etc.

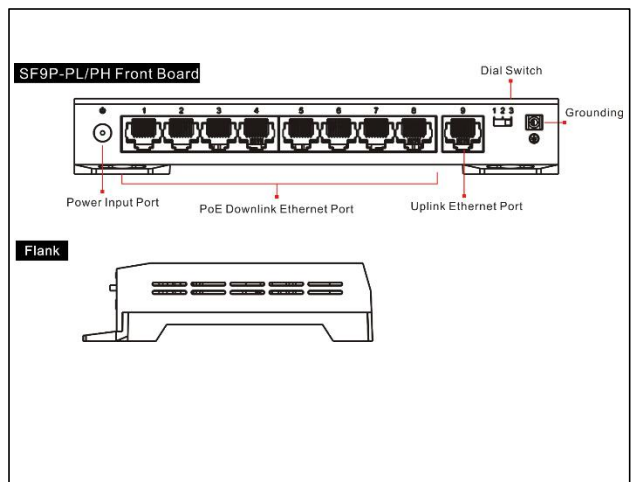
## APPLICATION



## DIMENSION



## PORT DETAILS



**SPECIFICATION**

|                          |   |
|--------------------------|---|
| <b>Model</b>             | <b>SF9P-PH</b>  |
| Downlink Port            | 8*10/100Base-TX Ethernet Ports (Passive PoE)  |
| Uplink Port              | 1*10/100Base-T Ethernet Port  |
| Network Standard         | IEEE802.3, IEEE802.3u, IEEE802.3X   |
| Switch Fabric            | 1.8Gbps   |
| Packet Forwarding Rate   | 1.34Mpps  |
| Interface Buffer         | 768Kbits  |
| MAC Address              | 1K  |
| Working Mode             | Mode 1: Port 1-9 without PoE function.<br>Mode 2: Port 1-7 with 24V PoE function, Port 8-9 without PoE function.<br>Mode 3: Port 1-8 with 24V PoE function. |
| PoE Standard             | Passive PoE   |
| PoE Power Pin Assignment | 4/5(+), 7/8(-)  |
| PoE Power Output         | PoE power output for single port ≤15W (24V DC). Total PoE power budget≤93W  |
| Surge Immunity           | 6KV, IEC61000-4-5   |
| ESD Immunity             | Contact discharge 6KV, air discharge 8KV. IEC61000-4-2  |
| Input Power              | DC 24V3.75A, 96W External power adaptor   |
| Power Consumption        | <3W   |
| Operating Temperature    | -10°C~55°C  |
| Storage Temperature      | -40°C~85°C  |
| Operating Humidity       | 5%-95% (Non-condensing)   |
| Dimension (L*W*H)        | 140*104*28mm (L*W*H)  |
| Certification            | CE, FCC, RoHS   |

**PACKING LIST**

| ITEM            | QTY  |
|-----------------|------|
| Ethernet Switch | 1 pc |
| Power Adaptor   | 1 pc |
| User Manual     | 1 pc |

**RELATED PRODUCTS**

| NAME   | MODEL          |
|--|----------------|
| 5-Port 10/100Mbps Switch with 4-Port Passive PoE ( 33W ) | <b>SF5P-PL</b> |
| 9-Port 10/100Mbps Switch with 8-Port Passive PoE ( 57W ) | <b>SF9P-PL</b> |